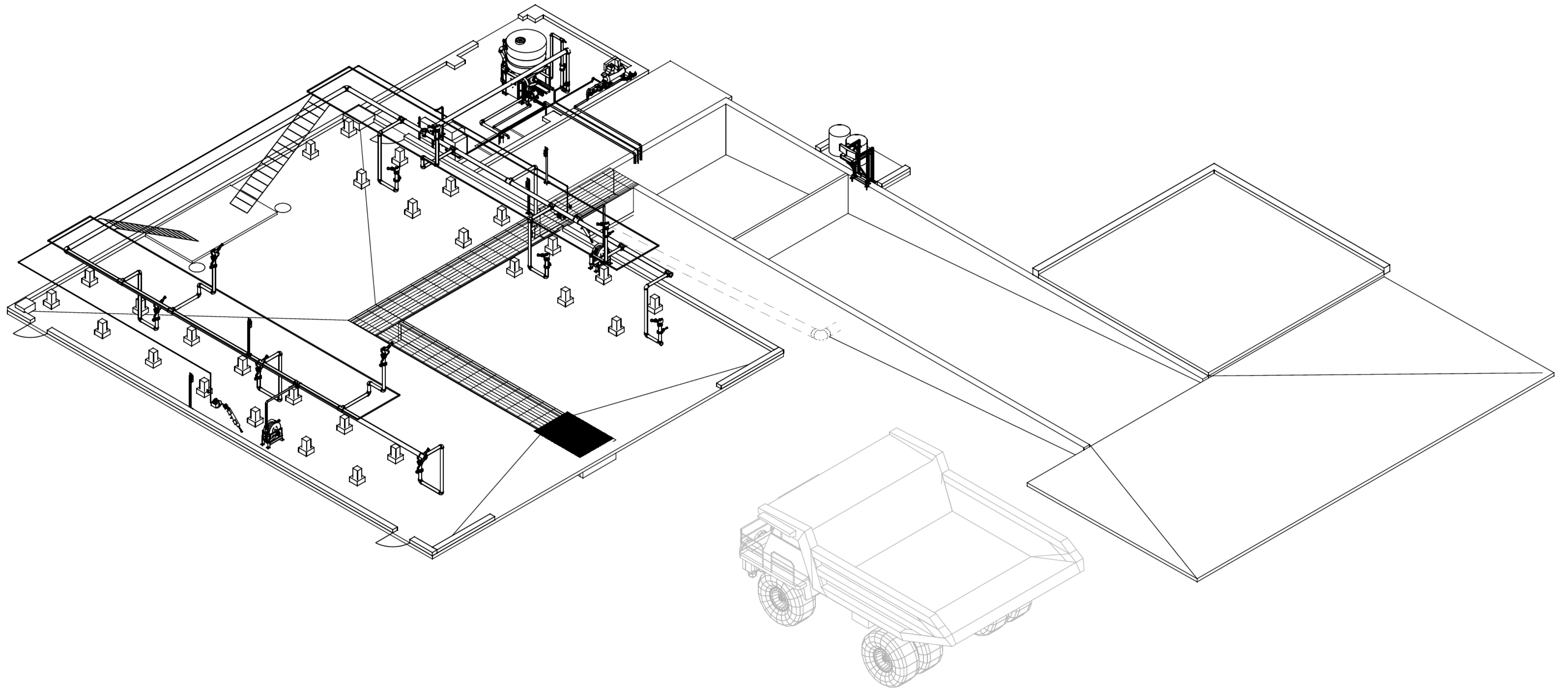


NOTE:
 THIS DRAWING AND DESIGN IS THE PROPERTY OF
 INTERCLEAN EQUIPMENT INC. AND MUST NOT BE
 COPIED OR USED EITHER DIRECTLY OR INDIRECTLY
 FOR ANY WORK OTHER THAN THAT OF INTERCLEAN
 EQUIPMENT INC. WITHOUT SAID COMPANY'S
 EXPRESSED PERMISSION. ALL RIGHTS OF INVENTION
 OR DESIGN ARE RESERVED.



NOTE:
 PIPING SHOWN FOR REFERENCE ONLY, FINAL
 PIPE RUNS TO BE DECIDED BY PLUMBING
 CONTRACTOR, ACCORDING TO JOB SITE
 CONDITIONS.
 VALVES AND FITTINGS TO BE LOCATED
 ACCORDING TO PLUMBING SCHEMATIC PAGE

InterClean Equipment

DESIGN: SIMON	DRAWN: SIMON
CHECK:	APPR:
SCALE: NO SCALE	

HAUL TRUCK WASH, RECLAIM SYSTEM
 3-D VIEW

DATE: 02/15/17
PART NO: #LY17-012-01
WEIGHT: