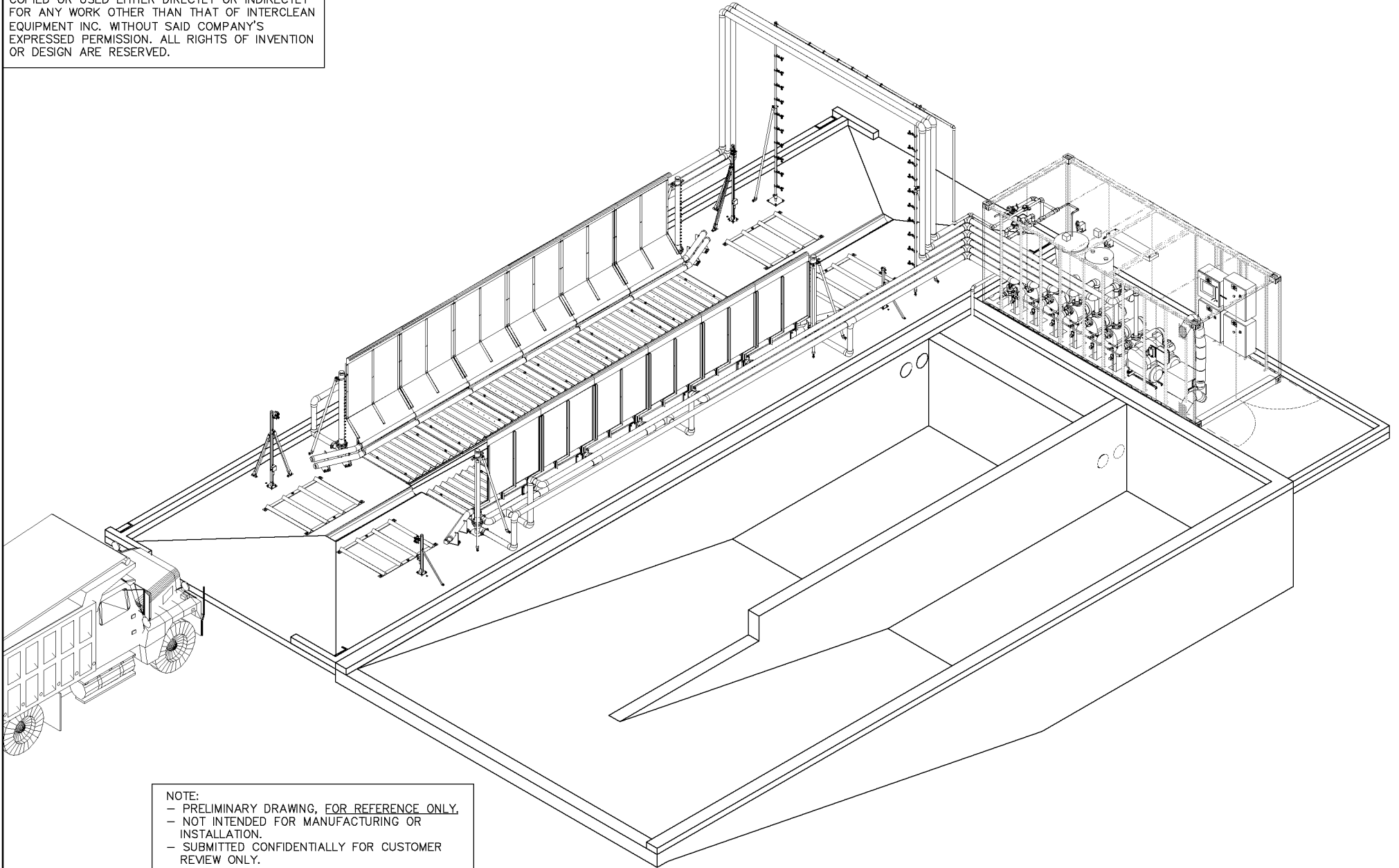


NOTE:
 THIS DRAWING AND DESIGN IS THE PROPERTY OF INTERCLEAN EQUIPMENT INC. AND MUST NOT BE COPIED OR USED EITHER DIRECTLY OR INDIRECTLY FOR ANY WORK OTHER THAN THAT OF INTERCLEAN EQUIPMENT INC. WITHOUT SAID COMPANY'S EXPRESSED PERMISSION. ALL RIGHTS OF INVENTION OR DESIGN ARE RESERVED.



NOTE:
 - PRELIMINARY DRAWING, FOR REFERENCE ONLY.
 - NOT INTENDED FOR MANUFACTURING OR INSTALLATION.
 - SUBMITTED CONFIDENTIALLY FOR CUSTOMER REVIEW ONLY.

PROJECT:SI\Foreign\Canada\British_Columbia\Elkford\Greenhill\ELK_Valley_Coal\LY08-044.dwg, 01_3D, 6/25/2008 2:29:34 PM, Susan, HPD\1055CN4.pcs

InterClean Equipment, Inc.

DESIGN: SUSAN
 DRAWN: SUSAN
 CHECK: PK
 APPR: PK
 SCALE: NO SCALE

ELK VALLEY COAL, ELKFORD, BC, CANADA
 XR-120 HEAVY DUTY TIRE WASH SYSTEM
 3-D VIEW

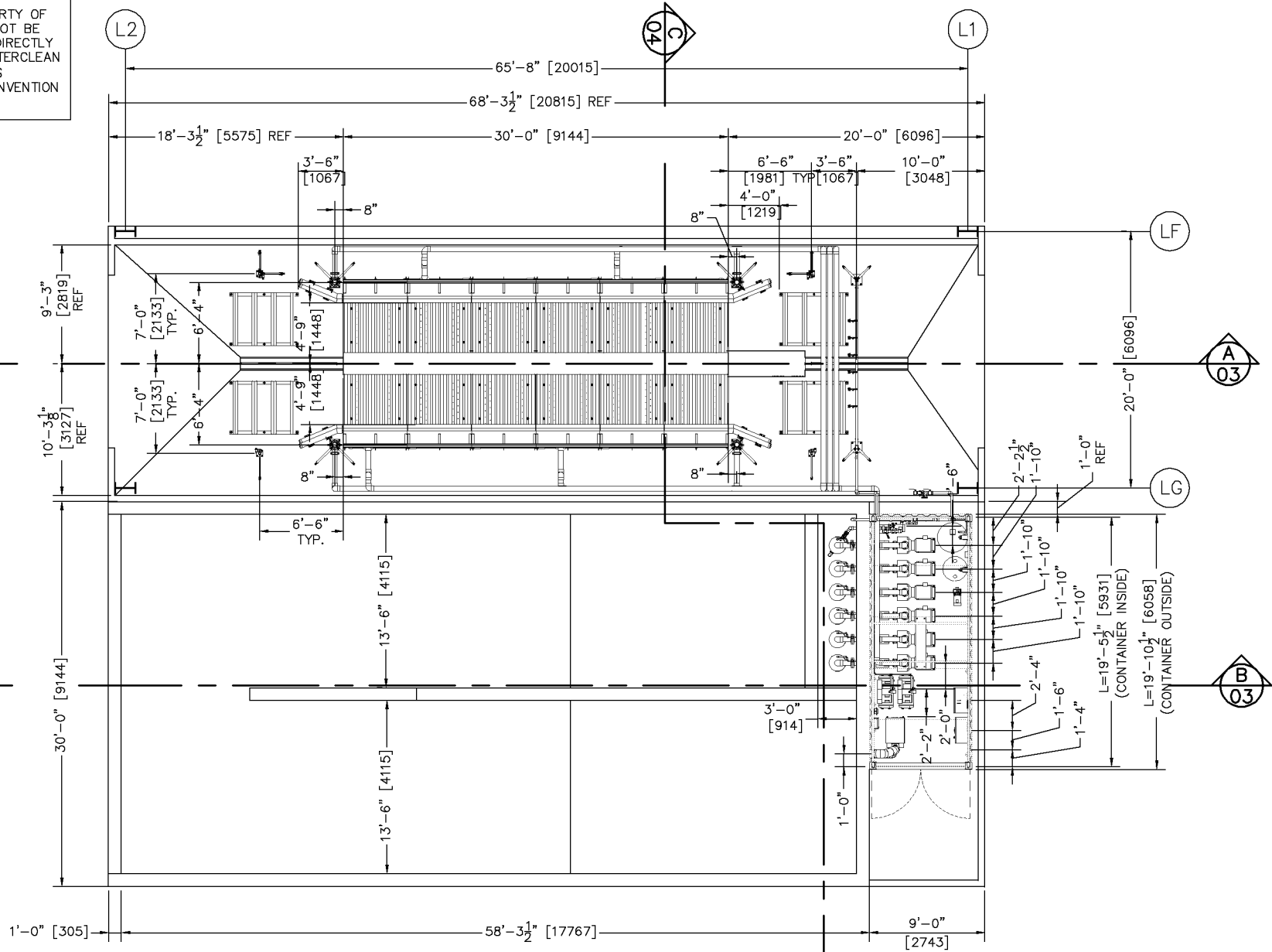
DATE: 06/24/08
 PART NO: LY08-044-01
 WEIGHT:

REV.	DATE	DESCRIPTION	BY	APPR

NOTE:
THIS DRAWING AND DESIGN IS THE PROPERTY OF INTERCLEAN EQUIPMENT INC. AND MUST NOT BE COPIED OR USED EITHER DIRECTLY OR INDIRECTLY FOR ANY WORK OTHER THAN THAT OF INTERCLEAN EQUIPMENT INC. WITHOUT SAID COMPANY'S EXPRESSED PERMISSION. ALL RIGHTS OF INVENTION OR DESIGN ARE RESERVED.

NOTE:
DIMENSIONS IN BRACKETS ARE IN MILLIMETERS

TRAFFIC DIRECTION



NOTE:
- PRELIMINARY DRAWING, FOR REFERENCE ONLY.
- NOT INTENDED FOR MANUFACTURING OR INSTALLATION.
- SUBMITTED CONFIDENTIALLY FOR CUSTOMER REVIEW ONLY.

InterClean Equipment, Inc.

DESIGN: SUSAN
DRAWN: SUSAN
CHECK: APRR
PK: PK
SCALE: 3/16"=1'

ELK VALLEY COAL, ELKFORD, BC, CANADA
XR-120 HEAVY DUTY TIRE WASH SYSTEM
PLAN VIEW

DATE: 06/24/08
PART NO: LY08-044-02
WEIGHT:

PROJECTS\Foreign\CANADA\British_Columbia\Elkford\Greenhill\ELK_Valley_Coal\LY08-044.dwg, 02_Plan_06252008 2:24:13 PM, Susan, HPD\1056CM.pcs

REV.	DATE	DESCRIPTION	BY	APPR